



DOSATRON®

WATER POWERED DOSING TECHNOLOGY

SCHEMATICS

Dosatron Liquid Dispenser **Model # D14MZ2 - 14 GPM**

1:500 - 1:50

4.3 – 85 PSI

3/4" NPT Connection

Suggested Installation:

200 mesh/80 micron water filter prior to unit

One-way check valve downstream from unit for water hammer protection

Suggested Maintenance Interval:

Replace injection seals every 12 months

DOSATRON SALES & SERVICE - NORTH & CENTRAL AMERICA

Dosatron International, Inc.

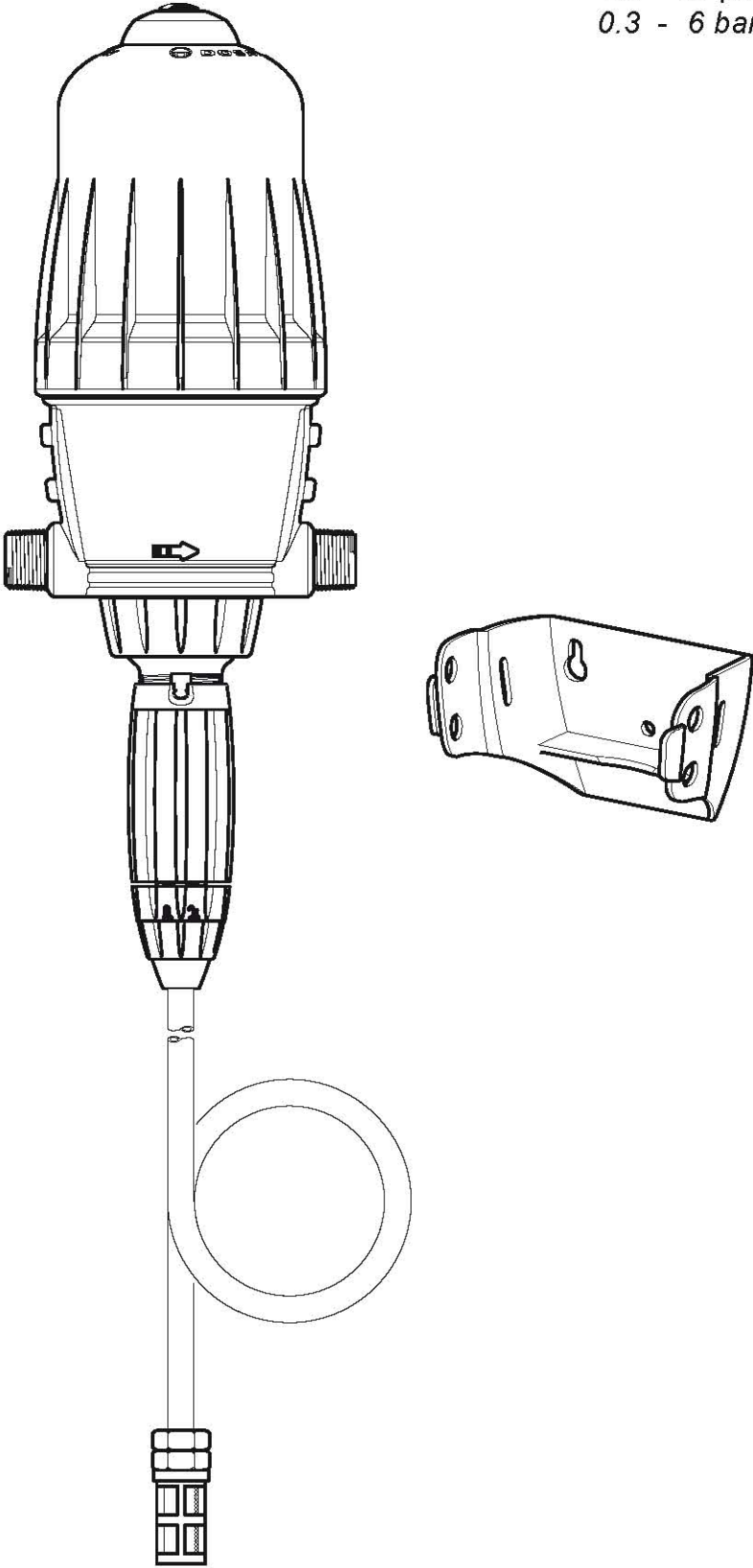
Phone: 727-443-5404 Service: (800) 523-8499

Fax: 727-447-0591

www.dosatronUSA.com

D14MZ2

14 GPM - 1:500 - 1:50
3 m³/h - 0.2 - 2 %
4.3 - 85 psi
0.3 - 6 bar



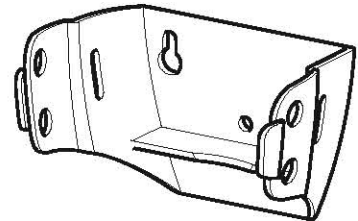
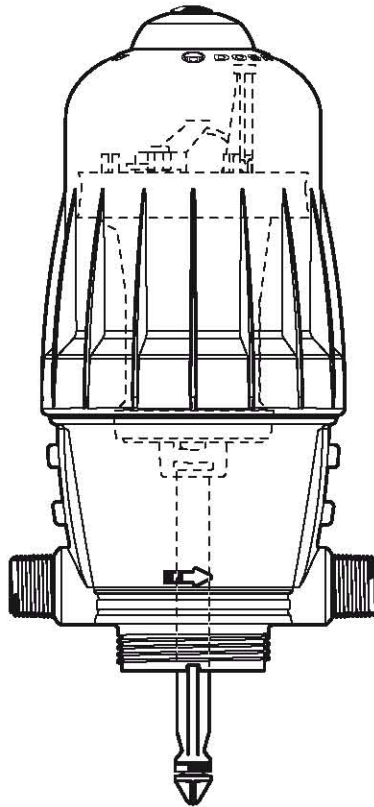
© DOSATRON INTERNATIONAL S.A.S. 2008
D14MZ2/0608/D1

PJDI116 - Injection Seal Kit

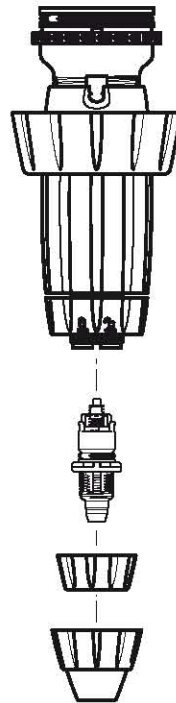
D14MZ2

14 GPM - 1:500 - 1:50
3 m³/h - 0.2 - 2 %
4.3 - 85 psi
0.3 - 6 bar

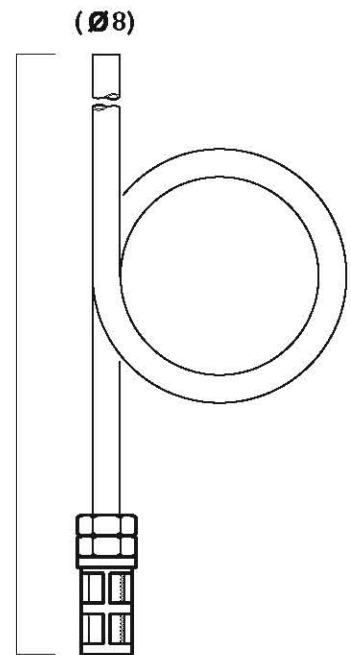
C+M



D

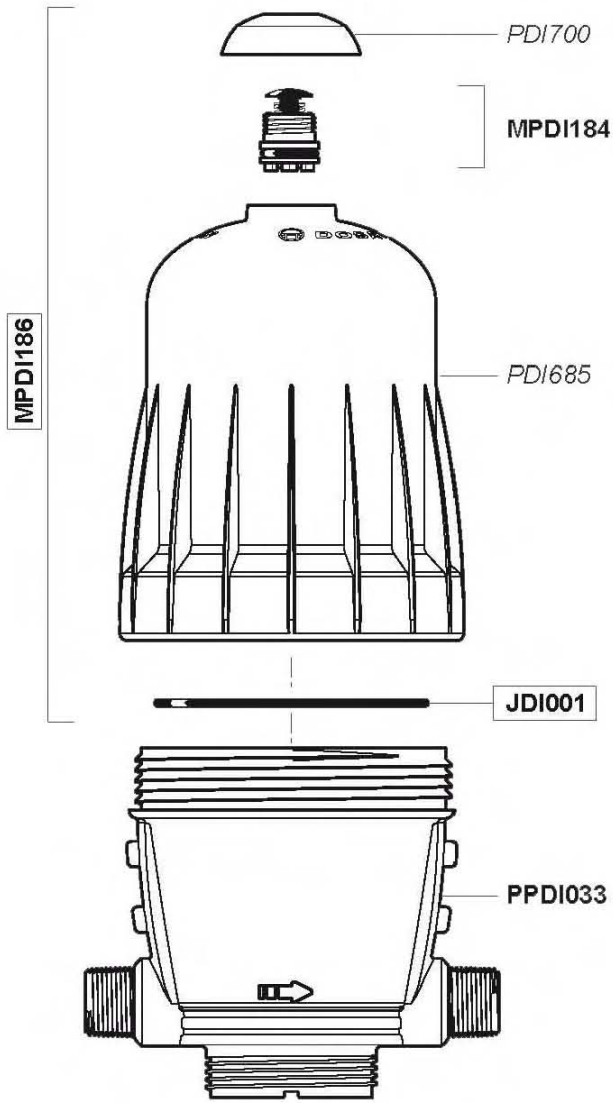


A



D14MZ2

14 GPM - 1:500 - 1:50
3 m³/h - 0.2 - 2 %
4.3 - 85 psi
0.3 - 6 bar

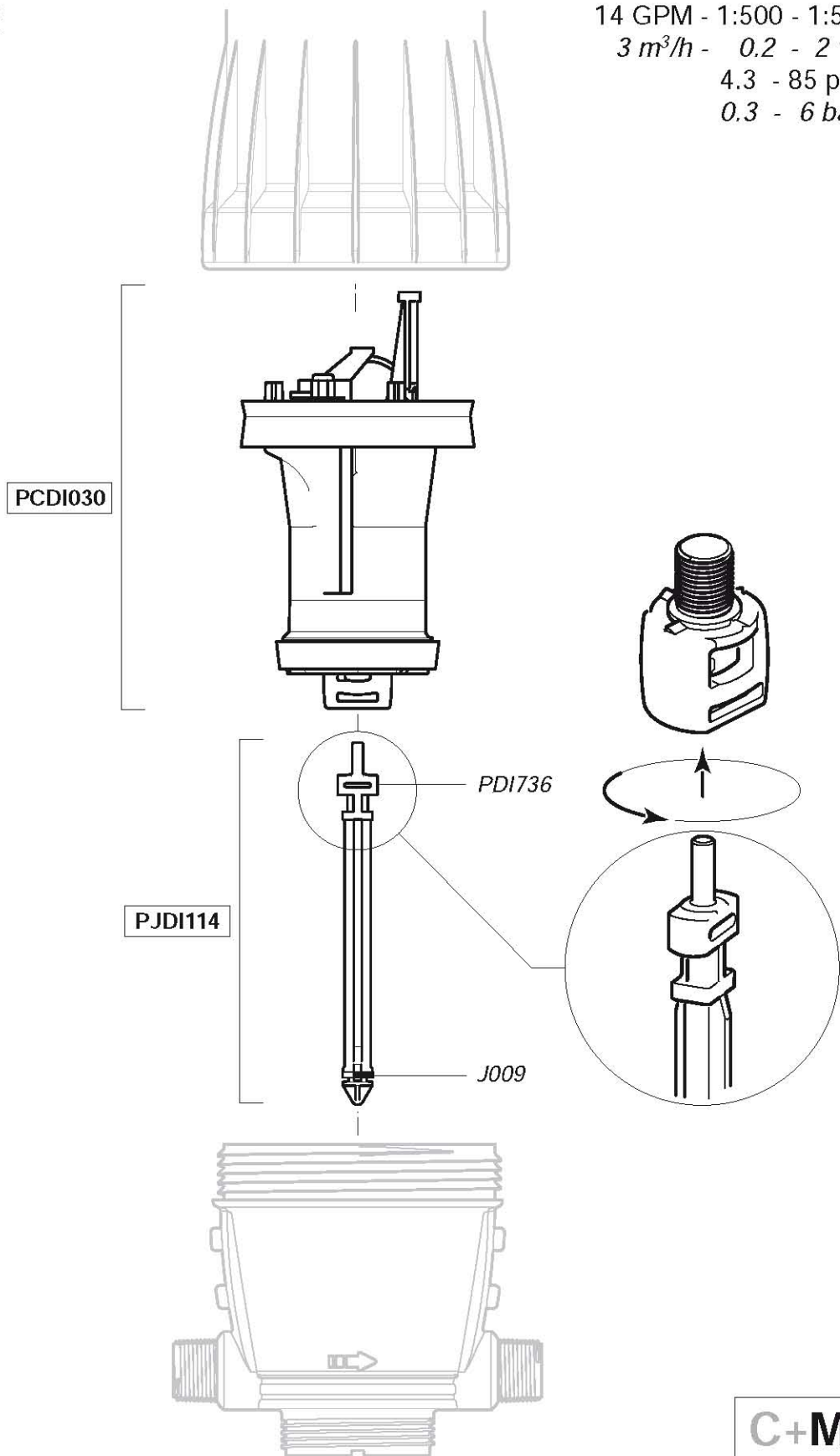


Option



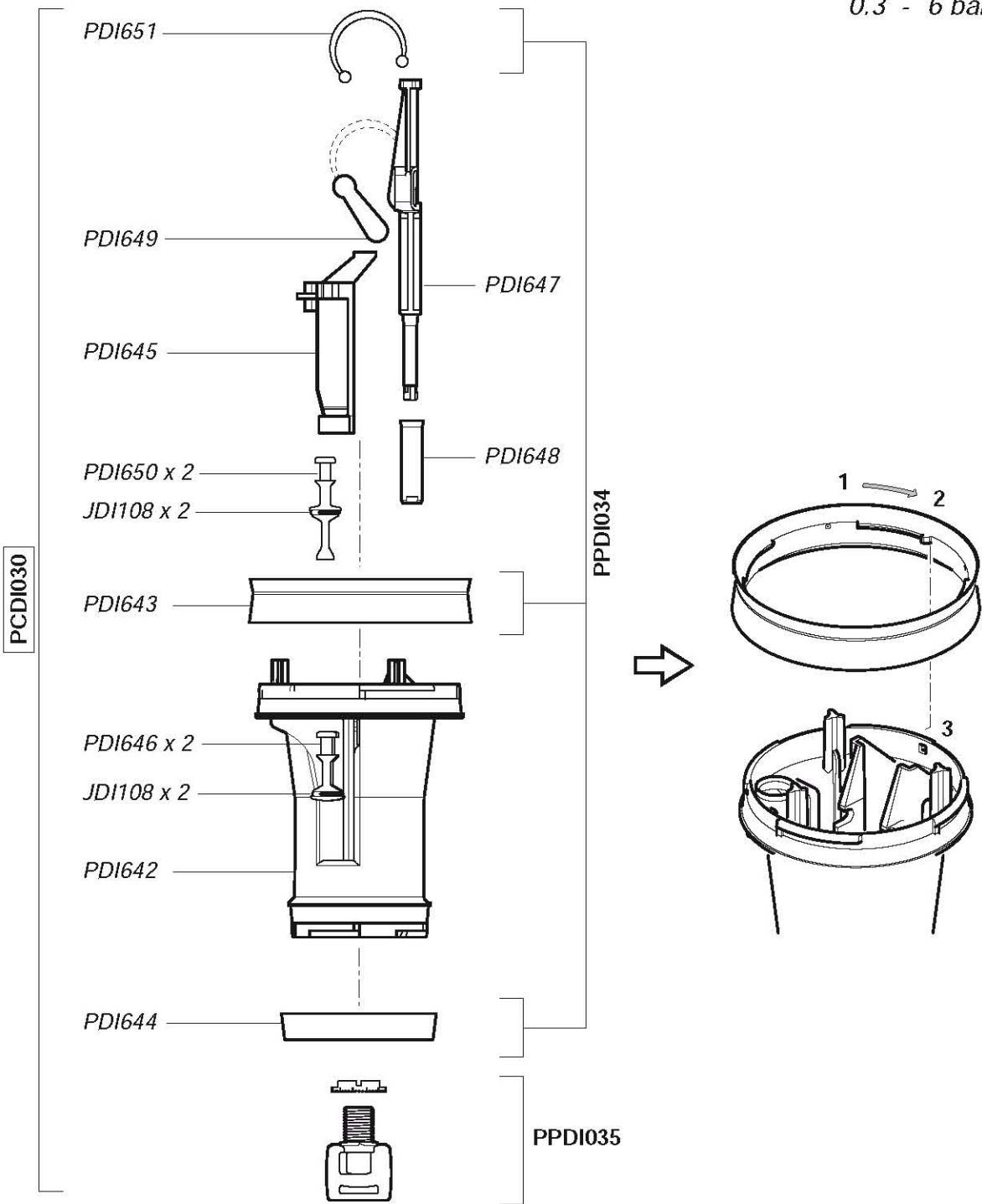
D14MZ2

14 GPM - 1:500 - 1:50
3 m³/h - 0.2 - 2 %
4.3 - 85 psi
0.3 - 6 bar



D14MZ2

14 GPM - 1:500 - 1:50
 3 m³/h - 0.2 - 2 %
 4.3 - 85 psi
 0.3 - 6 bar

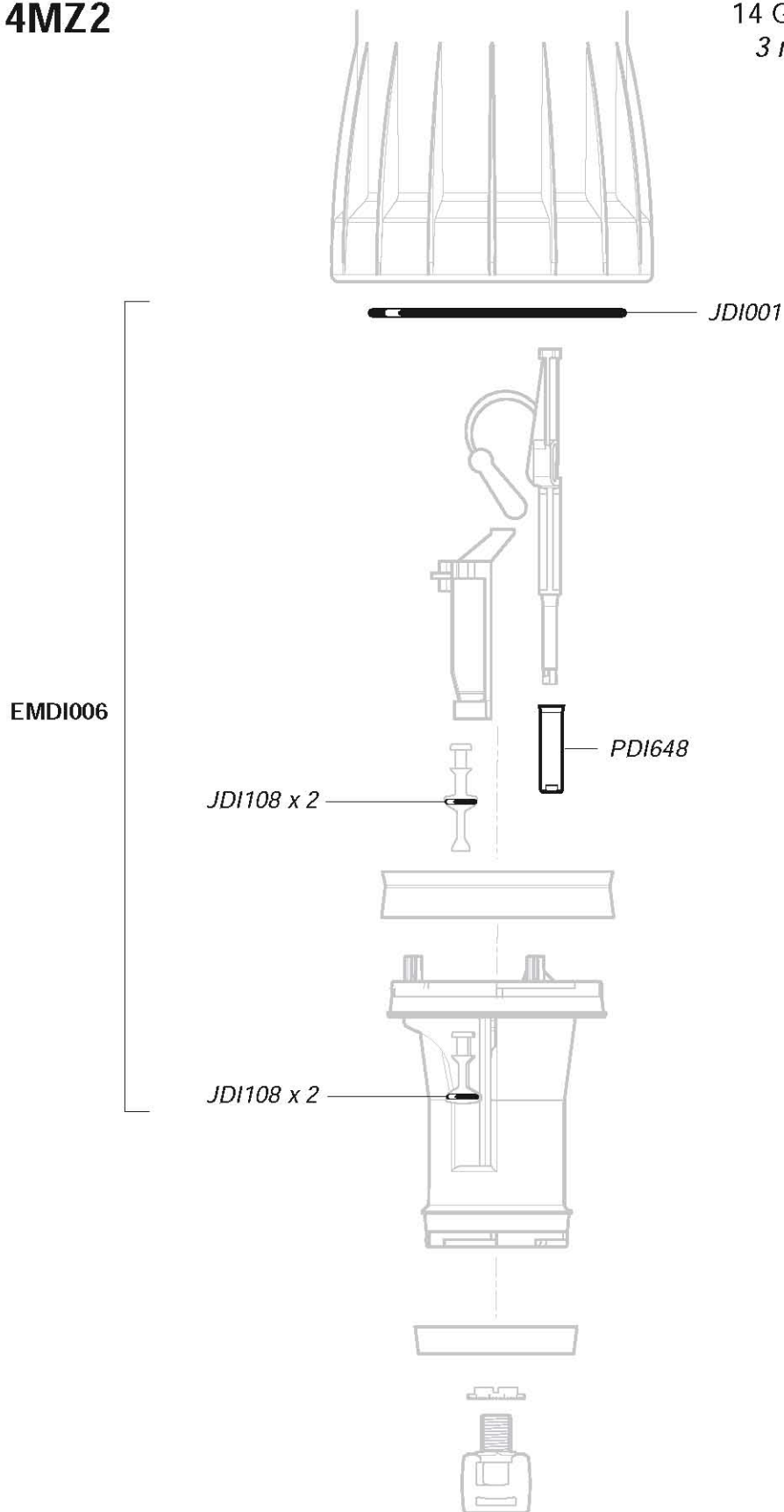


© DOSATRON INTERNATIONAL S.A.S. 2008
 D14MZ2/0608/D5



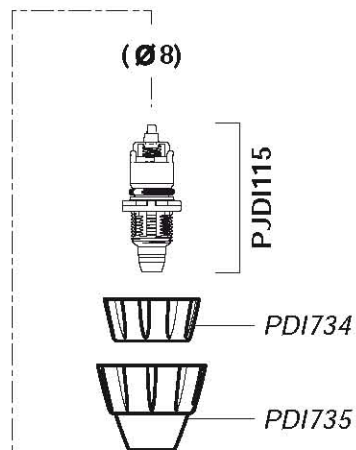
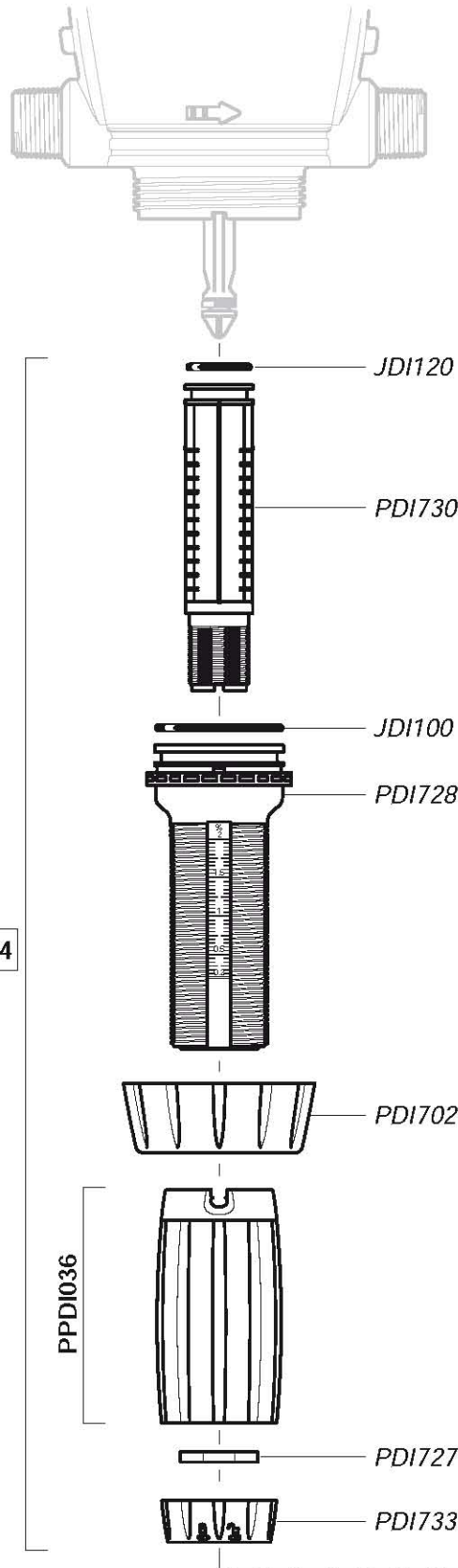
D14MZ2

14 GPM - 1:500 - 1:50
3 m³/h - 0.2 - 2 %
4.3 - 85 psi
0.3 - 6 bar



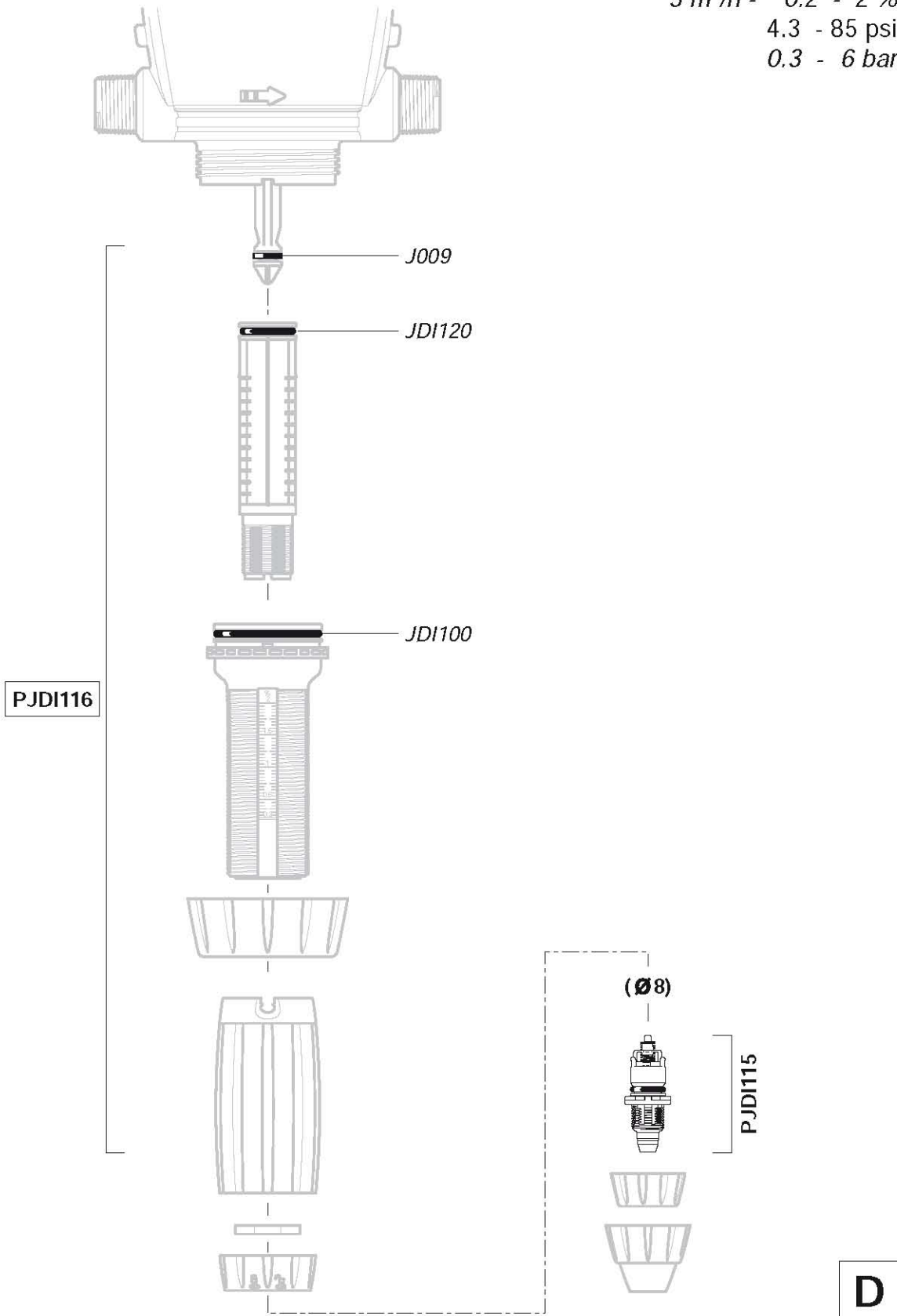
D14MZ2

14 GPM - 1:500 - 1:50
 3 m³/h - 0.2 - 2 %
 4.3 - 85 psi
 0.3 - 6 bar



D14MZ2

14 GPM - 1:500 - 1:50
3 m³/h - 0.2 - 2 %
4.3 - 85 psi
0.3 - 6 bar



D14MZ2

14 GPM - 1:500 - 1:50
3 m³/h - 0.2 - 2 %
4.3 - 85 psi
0.3 - 6 bar

